



TXMC



PRODUCT/ MANUAL VALVE

T3SBV Series T-Clamp Manual Sanitary Ball Valve



Specifications Characteristics

Model	T3SBV Series
Medium Temp.	-20°C - 150°C
ENV Temp.	Temp. -10 - 55°C ; Humidity. 10 - 90% RH
Pressure	0 - 1.5 Mpa
Bonnet Material	Stainless steel 316
Valve disk Mat.	Stainless steel 316
Gasket Material	PTFE
Stem Material	Stainless steel 316
Seat Material	PTFE
Handle Material	SUS304+Plastic

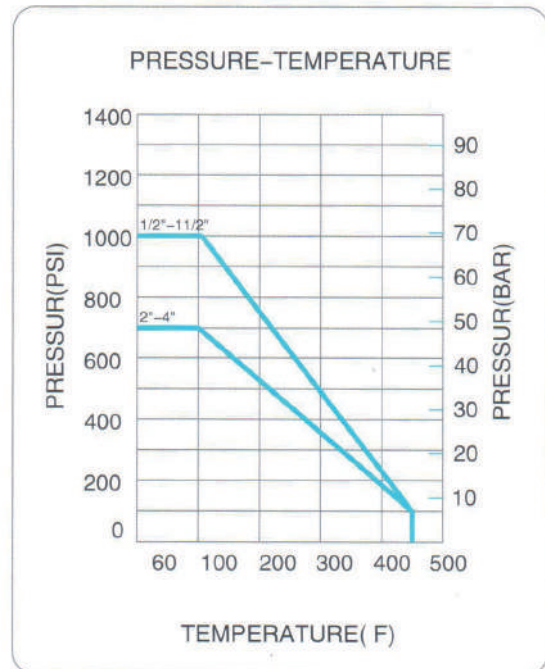
How to select model

T3SBV - **20** - **TFM4215**

Model Valve body spec. Other parts

Thread	Diameter	DN	Code	Spec.	Code
	1/2"	15	15	TFM4215	X
	3/4"	20	20		
	1"	25	25		
	1-1/4"	32	32		
	1-1/2"	40	40		
	2"	50	50		
	2-1/2"	65	65		
	3"	80	80		
	4"	100	100		

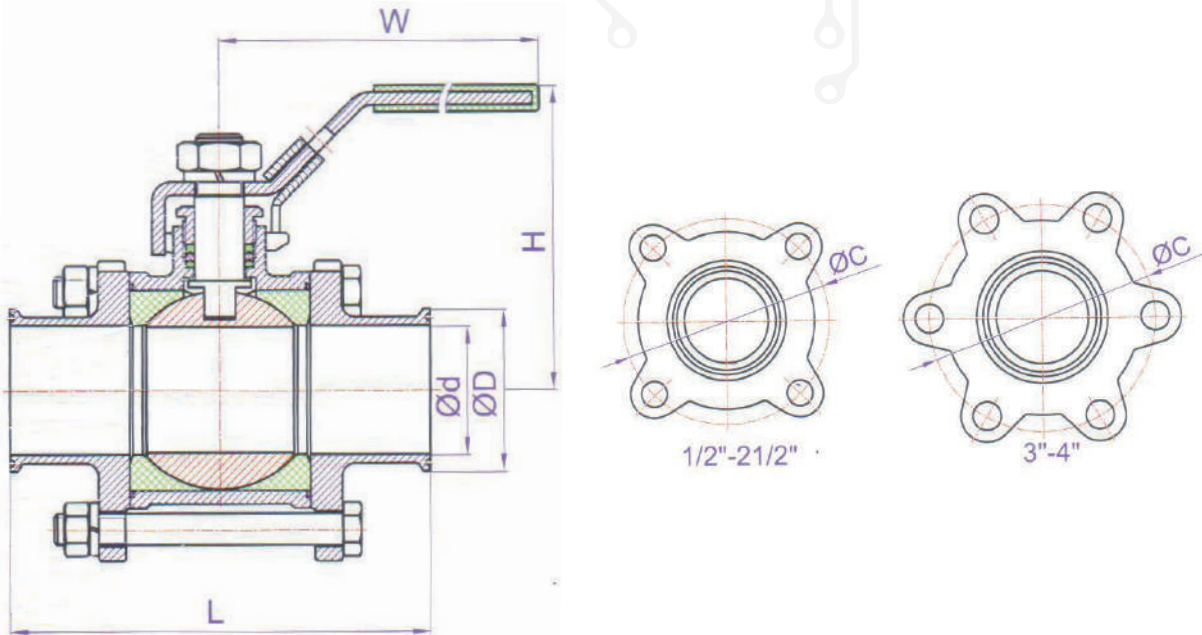
Pressure - temperature Rating





PRODUCT/ MANUAL VALVE

Dimensions



Unit : mm

Size	d	L	H	W	C	D	CV Factor	Torque (N.M)
1/2"	9.5	89	56	102	40.5	25.4	10	8.0
3/4"	16.0	101	65	123	47.0	25.4	25	12.0
1"	22.0	114	79	153	59.6	50.6	35	18.5
1-1/4"	28.5	140	92	183	84.0	50.6	46	24
1-1/2"	35.0	140	92	183	84.0	50.6	80	30
2"	47.5	156	99	183	101	64.0	110	40
2-1/2"	60.0	197	136	246	132	77.5	310	55
3"	73.0	229	146	246	161.5	91.0	360	72
4"	97.5	241	168	503	191	118.9	820	113

